



MODEL: **1/2-2159PR**



Pegler Yorkshire

Deck mounted 1/2-inch Cross head basin taps.

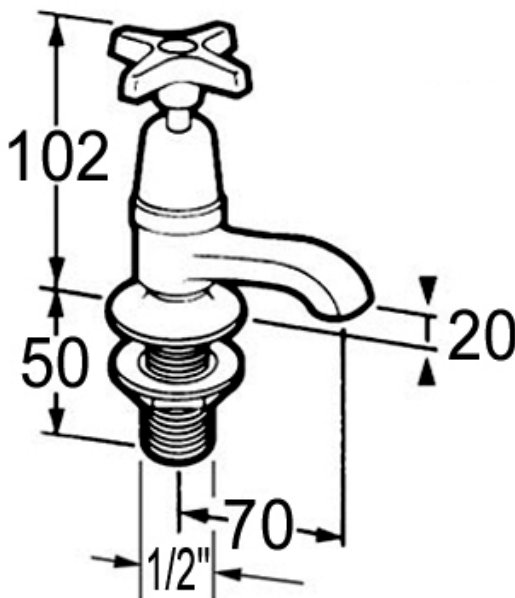
Brand: Pegler Yorkshire.
Tap type: Basin.
Mount: Deck mounted.
Hole: Single.
Water Feed: Single.
Control(s): Cross head.

FEATURES & BENEFITS

- Especially engineered for long life and service.
- Recognised industry leader.
- Suitable for a wide variety of applications.
- Easy to service and maintain.
- High quality polished chrome finish.

TECHNICAL INFORMATION

Connection(s): 1/2-inch.
Worktop hole: 25mm.
Recommended static water pressure range: 0.2-6 bar.
Recommended working temperature: up to 85°C.



MAINTENANCE & CLEANING

Cleaning chrome: Do not use abrasive, chlorine or acid-based cleaning products. Avoid contact with concentrated bleach. Clean with soapy water using a cloth or sponge.

Dimensions are in millimeters. If a CAD file is required please visit www.mechline.com.



MECHLINE DEVELOPMENTS LIMITED

Tel: +44 (0)1908 261511 | Email: info@mechline.com | Web: www.mechline.com